

The background of the advertisement is a close-up photograph of a large industrial drilling machine. The machine is primarily blue and yellow. A large, cylindrical metal component, likely a drill pipe or bit, is the central focus, showing its threaded surface and a hollow center. A yellow hose or cable is connected to the machine. The background is slightly blurred, showing some bare tree branches. The overall color palette is dominated by yellow and blue.

HDD

DRILLING TOOLS

**YOUR PARTNER
IN HDD TOOLS**

- ✓ Products manufactured in the Netherlands
- ✓ Quality & Transparency
- ✓ Fastest Supplier
- ✓ Focus on Customized Solutions

WELCOME



We are delighted that you are taking the time to get to know HDD Drilling Tools.

Our company was built on many years of hands-on experience within the HDD industry. Throughout that journey, we recognized clear opportunities for improvement: faster delivery times, tools engineered for real-world performance, and complete transparency when it comes to certification and pricing.

HDD Drilling Tools was founded to deliver exactly that. With streamlined decision-making, clear structures, and open, honest communication, we provide what truly matters in every project — reliability. So you always know exactly where you stand.

Our Mission

Our mission is to support the HDD market with high-quality drilling tools and reliable, practical service. Our focus is on customized solutions, fast response times, and solid technical expertise enabling drilling companies to work efficiently, safely, and successfully. The majority of our products are manufactured in-house in the Netherlands. In doing so, we rely on maximum precision and the strictest industry standards. For tools we do not manufacture in-house, we work exclusively with carefully

selected and qualified partners. The result is consistent, uncompromising quality.

Our Vision

Our goal is to become the most reliable and fastest supplier of HDD tools in Europe.

Thanks to our in-house production, we maintain full control over quality, performance, and delivery times. This allows us to consistently meet the highest industry standards.

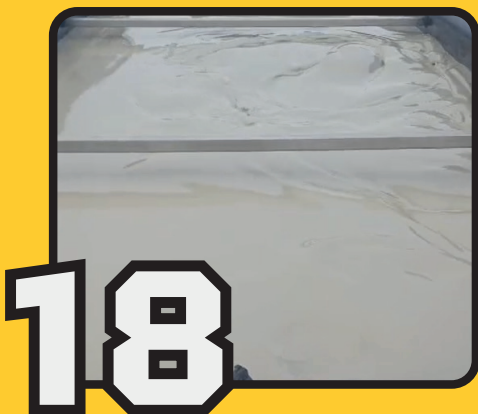
With a dynamic and professional team, we tackle every challenge and continuously develop innovative practical solutions.

In this catalog, you will find both our in-house developed products and selected solutions from our trusted partners. Above all, you will gain insight into what drives us: the firm belief that reliability, transparency, and craftsmanship are inseparably connected.

Every single tool is the result of a dedicated team working with passion, expertise, and a clear focus on your success.

RICK & LINDA

TABLE OF CONTENTS



04	MEET THE TEAM
06	PILOT DRILLING
07	DRILL HEADS, DRILL RODS, CONNECTIONS
08	THE REAMING PROCESS
09	OUR REAMERS
10	REPAIR SERVICE
11	CUSTOM MANUFACTURING
12	PIPE PULLBACK
13	SWIVELS, PE PULLING HEADS, PIPE ROLLERS
14	RENTAL
15	SPARE PARTS & ACCESSORIES
16	FROM ENGINEERING TO CERTIFIED PRODUCT
18	MIXING CONTAINERS
19	MEET TRENCHIE

MEET THE TEAM

WHO WORKS BEHIND THE SCENES ON YOUR SOLUTION?

At HDD Drilling Tools, we rely on short decision-making processes and a well-coordinated team. From the first contact to final delivery, every step is handled in-house: quickly, efficiently, and with the highest quality standards.



Sales & Service

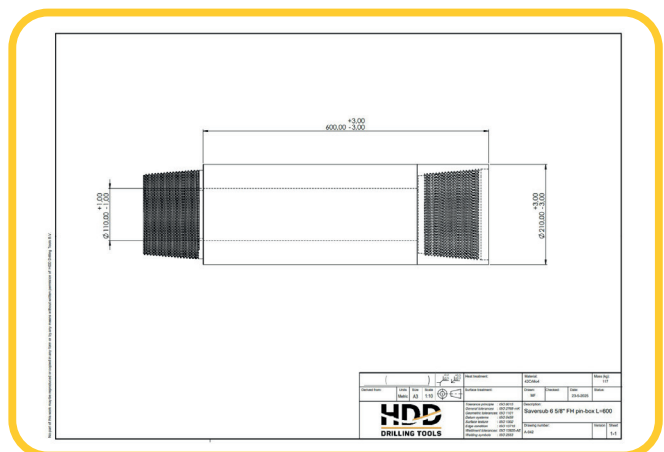
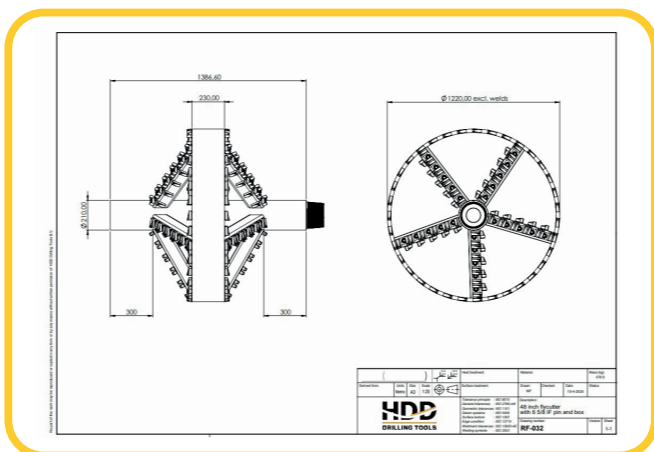
“No matter when you call, you will always be connected directly to one of our experienced team members, like Paul or Linda.

“Whether you need a stock item, a customized reamer, or technical support, we’re here to provide competent and solution-oriented advice.

Upon request we can visit you directly or host you at our facility to personally demonstrate how we work.

Engineering

In our engineering department, concepts are transformed into well-thought-out, practical designs. Subs, swivels, reamers, or custom solutions — every tool is precisely designed and technically prepared.



QUALITY & PRECISION

Machining

Our machining specialists are highly trained experts in their field. With maximum precision, they manufacture components designed for perfect fit and long service life.

Turning and milling are part of everyday operations — from threads for subs, crossovers, shafts to complete swivels and complex components.



Logistics

Thanks to our extensive warehouse, we always maintain large stocks of semi-finished materials, finished products, and wear parts. This enables fast and flexible deliveries — even at short notice and tailored precisely to your project



Assembly & Fabrication

Our experienced specialists carry out assembly, construction, and welding work on HDD drilling tools with the utmost care. Whether assembling a swivel or welding a reamer: each product is manufactured precisely and with great attention to detail.



PILOT DRILLING

THE FIRST STEP TOWARD A SUCCESSFUL PIPELINE INSTALLATION



The pilot bore lays the foundation for every successful HDD project. Using reliable tools that are precisely matched to soil conditions and project requirements is essential.

Our range includes:

- Drill heads – designed for clay, sand, gravel, or rock and developed for optimal steering control
- Adapters & couplings – stable, safe, and compatible with all common drill rods and drilling machines
- Drill rods – robust, durable, and flexibly adaptable to various project requirements

DRILL BITS, DRILL RODS, ADAPTERS



DRILL BITS

- Tricone
- PDC
- Cobble Boss

Additional drill heads and steering plates available upon request.



DRILL RODS

Suitable for:

- Ditch Witch
- Vermeer
- API connections
- Forged or friction-welded

Option: extended tool joints available



ADAPTERS

- Blindsubs
- Saversubs
- Crossovers
- Pulling-eye
- Topdrive
- Various thread types



THE REAMING PROCESS

During borehole enlargement, soil conditions are a decisive success factor. Sand, clay, gravel, or hard rock formations all demand different types of tools. With the right tool, the reaming process can be significantly accelerated while minimizing wear and downtime.

We offer a comprehensive range of reamers, including barrels, flycutters, tricone hole openers, PDC, Conical and M series reamers.

OUR REAMERS



BARRELS & FLYCUTTERS

- Sizes: 10" – 48"
- In-house production
- Optional bolt-on swivel
- Standard API threads
- Suitable for soft soil types



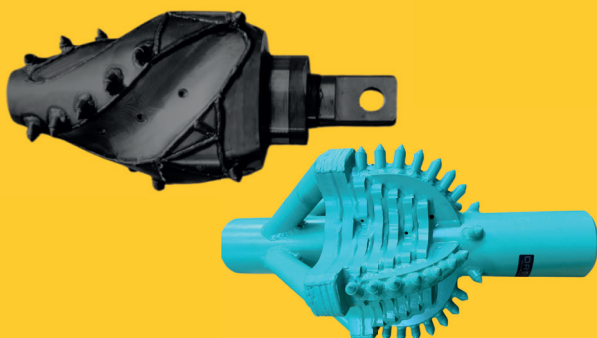
Tricone Hole Openers

- Sizes: 8" – 46"
- 5 cones (IADC codes available)
- With stabilizers
- Standard API threads
- Suitable for rock



PDC REAMER

- Sizes: 10" – 36"
- Available with replaceable cutting elements (easy replacement directly on-site)
- Accelerates the reaming process
- Standard API threads
- Suitable for soft / medium rock



CONICAL REAMER & M-SERIES

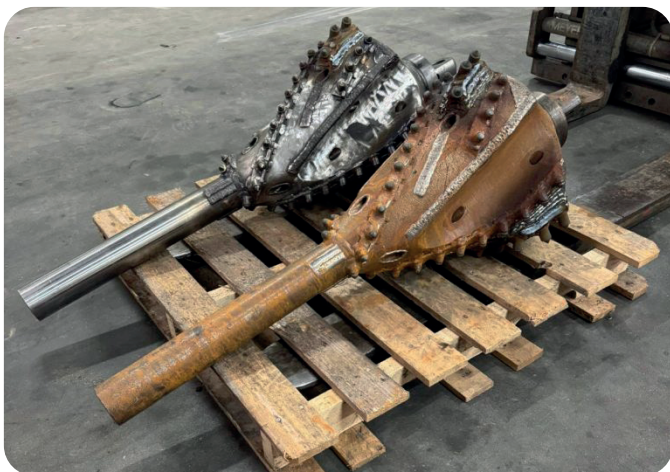
- Sizes: 6" – 36"
- Conical reamers with bolt-on swivel (10T, 20T, 40T)
- Standard API threads
- Suitable for mixed soil conditions

REPAIR SERVICE

Good tools are the foundation of every project. At HDD Drilling Tools, we ensure that your reamers, shafts, and subs remain reliable and ready for operation.

With our repair service, you extend the lifespan of your tools, reduce downtime, and maximize your return on investment.

We repair: barrel and flycutter reamers, PDC reamers, Tricone Hole Openers, Drill Bits, shafts, subs and more.



Our Repair Process

1. Collection

We handle the collection of the tool, so there's no effort or time lost on your end.

2. Inspection

All components are checked for wear and damage. You receive a condition report including photo documentation.

3. Repair

- Replacement of teeth, cutters, nozzles, and wear parts
- Thread repair on shafts and subs
- Additional measures to extend service life if necessary

4. Quality Control

Each tool is carefully inspected and tested after repair.

5. Delivery

The tool is delivered to your desired location and is ready for immediate use.





CUSTOM MANUFACTURING

Tailor-made solutions for every drilling project

At HDD Drilling Tools, we understand that every project is unique. That is why we develop individual solutions precisely tailored to your requirements and operating conditions.

From specialized reamers with integrated swivels to customized overwash rings and individually configured rod boxes for more efficient transport and storage — we deliver exactly what you need.

Even for large-scale projects, such as the refurbishment of complete containers, we focus on in-depth optimization. This ensures that all your drilling tools remain safe, efficient and ready for immediate use.

Our custom solutions combine technical precision, durability, and reliability — from small accessories to complete system solutions. This guarantees tools that deliver optimal performance while extending the lifespan of your investment.





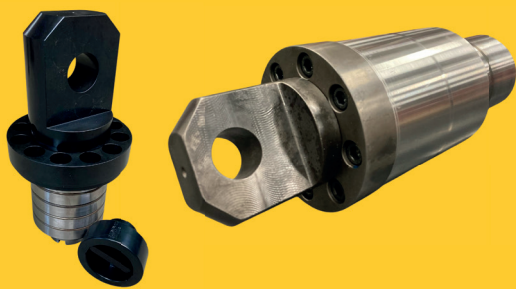
PIPE PULLBACK

Powerful, reliable, and safe

Our HDD tools for pipe pullback are designed to ensure maximum pulling force and highest safety for every installation.

With weld-on pulling heads, swivels, pipe rollers, and well-designed accessories, we enable controlled and smooth pullback — regardless of pipe dimensions or operating conditions.

SWIVELS, PE PULLING HEADS, PIPE ROLLERS



Swivels

- Load capacities: 7T to 300T
- Box connection: API
- Delivery including certificate possible



PE Pulling Heads

- Available sizes: 50 mm to 710 mm
- SDR 9, SDR 11, SDR 17
(Custom solutions possible, e.g. for high-pressure pipelines)



Pipe Rollers & Cradles

- Pipe diameter: 50 mm to 2000 mm
- Stainless steel or hot-dip galvanized
- Other versions available upon request

RENTAL

Flexible and cost-efficient

Our HDD rental service is the ideal solution for projects where flexibility and budget are key considerations.

For short-term use or for testing specific drill heads, reamers, or pipe rollers — we provide various models ready for immediate jobsite deployment.



SPARE PARTS & ACCESSORIES



Spare Parts

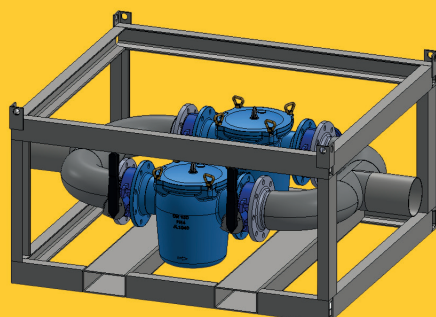
- Nozzles: 6 mm to 14 mm
- Retainers
- Weld-on teeth
- API thread protectors



Accessories

Reamer Stands

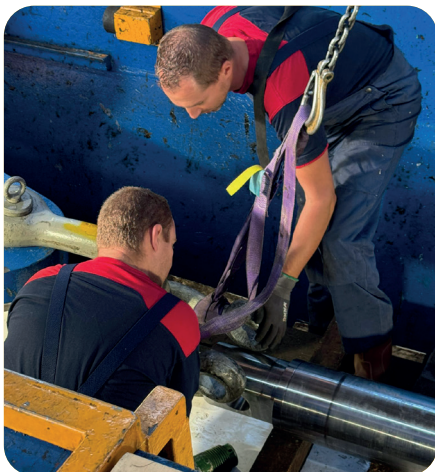
- Various sizes
- Stainless steel
- Customizable with individual logo



Filter Skid

- Standard : 6"
- Filter options: 3 mm, 5 mm, or 8 mm insert filters
- Connections: 6" Perrot (plug & coupling)
- Equipped with inlet and outlet pressure gauges

FROM ENGINEERING TO CERTIFIED PRODUCT



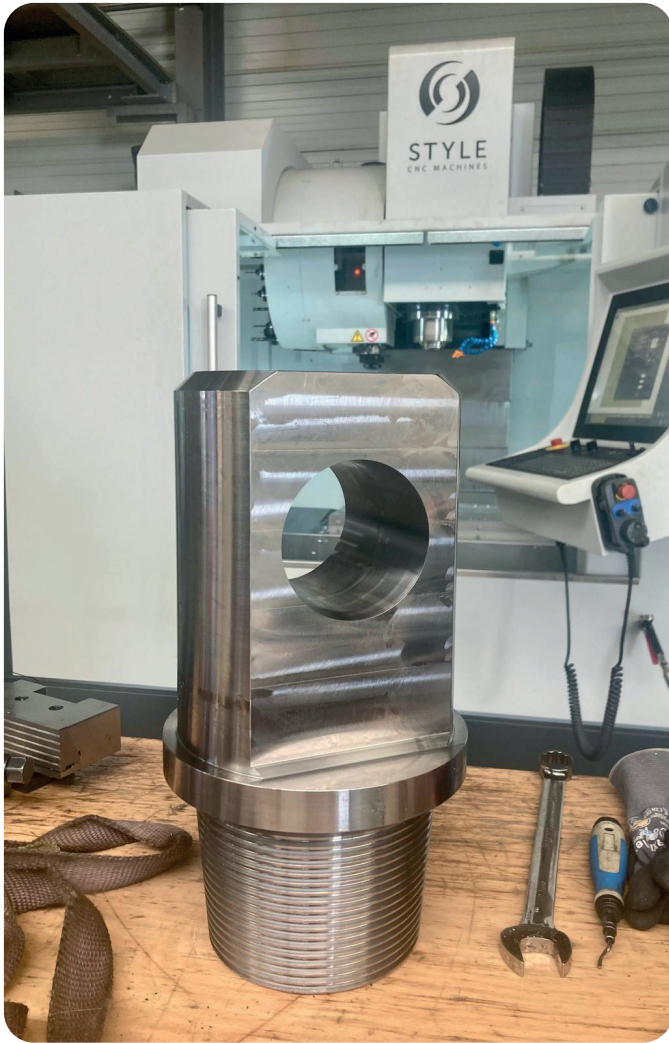
Our Swivels – Fully In-House Developed and Manufactured

Quality begins at the design stage. Our swivels are completely developed, manufactured, and assembled in-house. We maintain full control over every detail and guarantee tools precisely tailored to the demanding requirements of your HDD projects.

We use only high-quality steel for maximum pulling force, reliability, and durability.

Each swivel is individually designed for your project. After manufacturing, every swivel is carefully inspected and tested in a certified external testing facility under real load conditions.





Samuel Morsestraat 6
7442 DH Nijverdal
www.hdddrillingtools.com
info@hdddrillingtools.com
+31 548 215 091

IBAN: NL66 RABO 0109 8508 82
CoC: 96606193
VAT: NL8676.80.465.801
EORI: NL8676.80.465

Operation & Maintenance Manual 80T Swivel

Technical Explanation – Load Capacity of 80 Ton Swivel

For the intended application, a configuration of eight bearings has been selected, all mounted in the same orientation. The bearings are subjected to axial loads, and the total load capacity may be considered linearly additive.

According to the official specifications, the following values apply **per bearing**:

- Dynamic load rating (C): 108 kN
- Static load rating (C₀): 96.5 kN

Combined capacities (8 bearings):

Property	Total value (kN)	Total value (ton)
Dynamic axial load rating (C)	864 kN	88.1 ton
Statische d Static load limit (C ₀)	772 kN	78.7 ton
Short-term dynamic overload (1.5 × C)	1296 kN	132.2 ton

The value for short-term overload is based on the dynamic load rating (C) multiplied by a safety factor of 1.5. This figure provides an indicative limit for incidental peak loads that may only occur for a very short duration.

Importance of the dynamic load rating

For axial loads under rotating conditions, the dynamic load rating (C) is the key reference. This value defines the load capacity at which a reliable bearing service life can be achieved. Loads exceeding this rating, even temporarily, should be carefully evaluated.

Use of the overload limit

The stated value of 1296 kN should only be regarded as a temporary peak load limit. This limit is not intended for continuous operation. Sustained loading above the dynamic limit of 864 kN may lead to:

- Accelerated wear of raceways and rolling elements
- Premature bearing failure
- Loss of precision or increased clearance
- Risk of seizure or fracture under repeated peak loading

Test Report & Certificate

You receive full documentation for each swivel, including:

- Thread measurement certificate
- Material certificate
- External tensile test report
- Unique serial number

This ensures complete transparency and a fully traceable documentation chain.

From the first thread to the final tensile load test

After manufacturing, every swivel undergoes a rigorous quality inspection. Using calibrated precision gauges, each thread is carefully checked for exact fit and flank geometry. Subsequently, every swivel is tested at a certified external testing facility, where it is subjected to a full-scale load test under real operating conditions. This process ensures that every product fully complies with all specifications and meets the highest safety standards.



MIXING CONTAINERS

Robust mixing containers for HDD drilling applications with continuous mixing and pumping processes. Bentonite is mixed and pumped directly to the drilling rig — reliably and without interruption.

Performance

- Mixing capacity: 2,500 l/min at 4 bar
- Pump capacity: 1,500 l/min at 4 bar
- Integrated diesel generator: 110 kVA

Equipment

- Bulletproof Mixing Unit
- Low-speed pump, high output
- Enclosed 18 m³ storage space
- 4" inlet, 4" or 6" outlet
- Hook and cable system

Options

- Big-bag crane
- Work lighting
- Company branding
- High-pressure cleaner

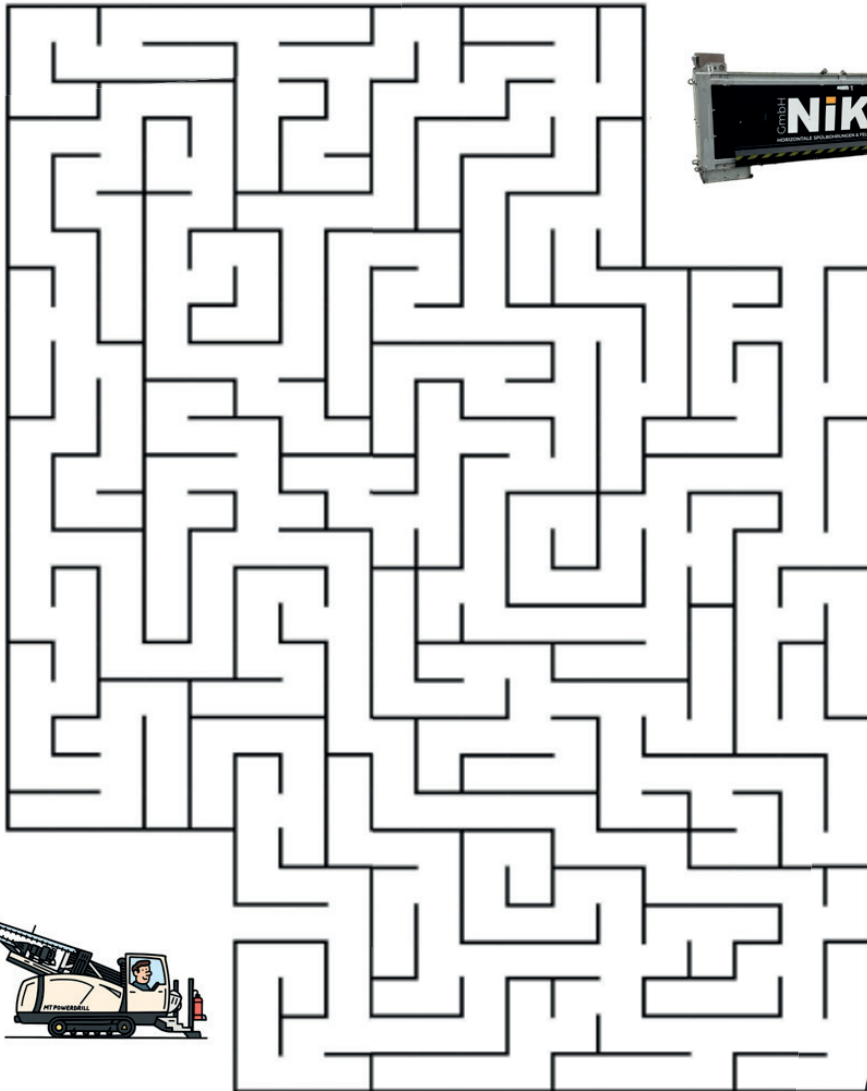




MEET TRENCHIE!

Hello, I'm Trenchie!

Trenchie is looking for an extra rod box!
Would you like to join me on an adventure? Together, we'll make our way through the maze to find a rod box. Are you ready to help me?
Join me on an adventure through the maze to find a rod box.



Send a photo of the solution to: info@hdddrillingtools.com and get the chance to win an HDD hoodie and a small surprise!



YOUR PARTNER HDD-TOOLS



HDD
DRILLING TOOLS

HDD DRILLING TOOLS B.V.

📍 Samuel Morsestraat 6
7442 DH Nijverdal
Netherlands

✉ sales@hdddrillingtools.com
☎ +31 548 215 091
🌐 www.hdddrillingtools.com